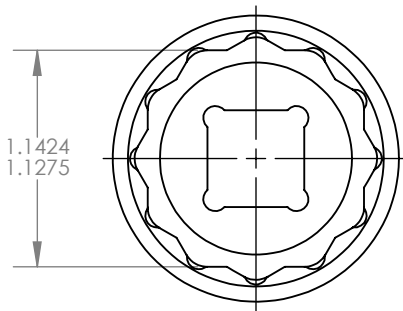
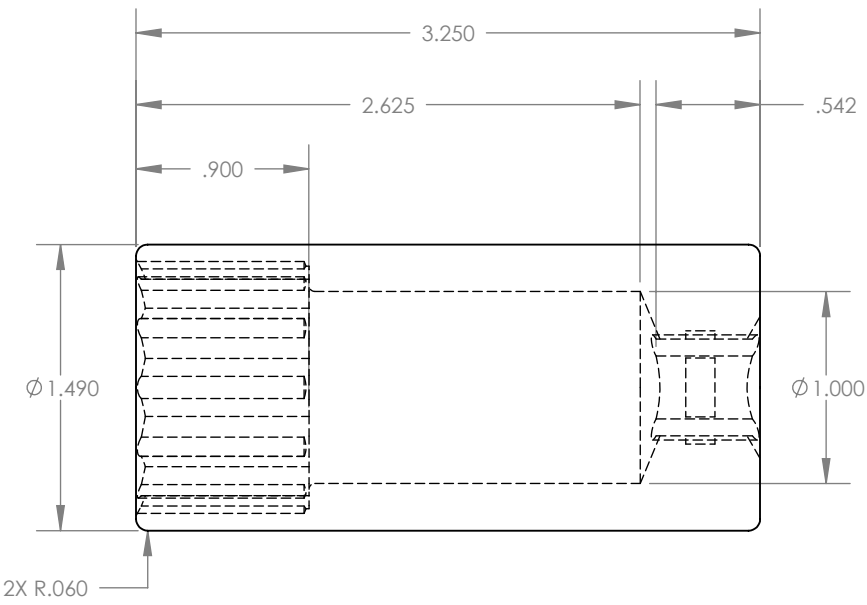


SCALE: 1:2



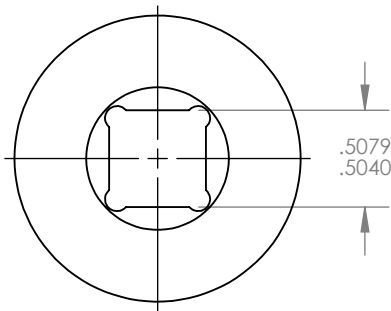
1.1424
1.1275



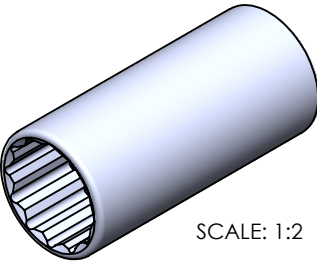
Ø 1.490

Ø 1.000

2X R.060



.5079
.5040



SCALE: 1:2

UNLESS OTHERWISE SPECIFIED:
DIMENSIONS ARE IN INCHES

TOLERANCES:
X.XX= ±0.13
X.XXX= ±0.015
X.XXXX= -0.0015

	NAME	SIGN	DATE
DRAWN	A.T.		07.18.19
APPVD			

STERITOOTM
The Global Source for Stainless Steel Tools

MATERIAL: 17-4 MAGNETIC S.S.

TITLE: 1-1/8" 12-POINT X 1/2" DRIVE DEEP SOCKET

THIS DRAWING IS THE PROPERTY OF STERITOO, INC. ANY REPRODUCTIONS OR MODIFICATIONS OF THIS DRAWING OR ITS CONTENTS WITHOUT THE CONSENT OF STERITOO, INC. IS PROHIBITED.

PART NO.	12750	REV:	A
SCALE: 1:1	SHEET 1 OF 1		